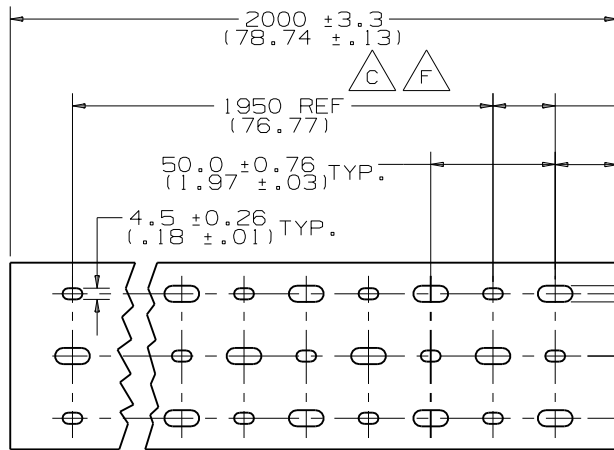
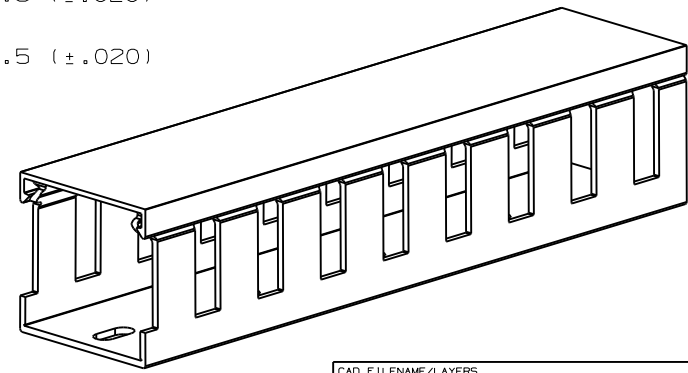
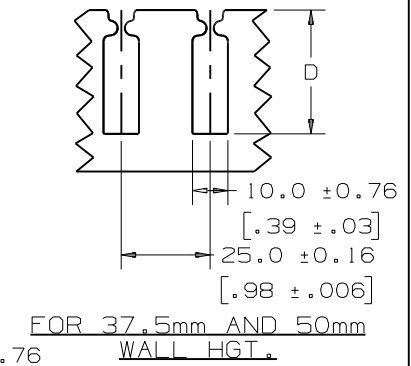
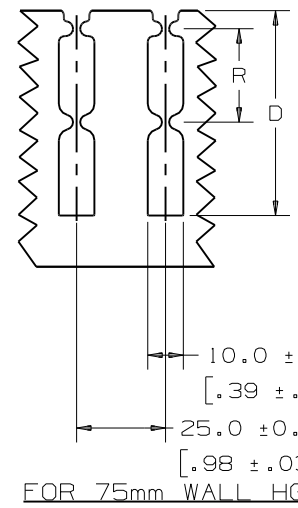
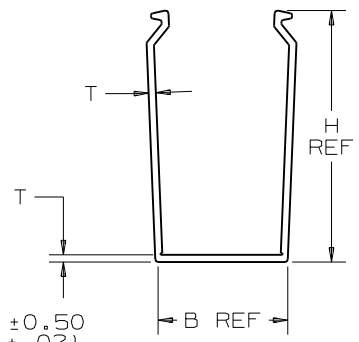


THIS COPY IS PROVIDED ON A RESTRICTED BASIS AND IS NOT TO BE USED IN ANY WAY DETRIMENTAL TO THE INTERESTS OF PANDUIT CORP.



FOR 75mm, 100mm, WIDTH DUCT  
MOUNTING HOLE DIMENSIONS



CHANNEL EXAMPLE:  
 TYPE NNC 37 X 50 LG 2  
 37mm WIDE  
 50mm HIGH  
 COLOR (LIGHT GRAY)  
 LENGTH (m)

- B**
- NOTES:
- "B" MEASURED AT BASE.
  - STANDARD LENGTH: 2 METER.
  - SEE CURRENT CATALOG FOR PART NUMBER DESIGNATIONS FOR TYPE, COLOR, AND LENGTH.
  - DUCT TYPE "NNC" PACKAGED WITH TYPE "NC" COVER.
  - DIMENSIONS ARE METRIC (INCHES).

CAD FILENAME/LAYERS		D38539AA_DC_NNC_01B.PRT	
<h1>PANDUIT</h1> CORP. TINLEY PARK, ILLINOIS WIRING DUCT AND COVER TYPE "NNC" METRIC CUSTOMER DRAWING			
UNLESS OTHERWISE SPECIFIED, DIMENSIONAL TOLERANCES ARE:		UNLESS OTHERWISE SPECIFIED, ALL DIMENSIONS ARE GIVEN IN INCHES, THIRD ANGLE PROJECTION.	
(.X) ±	(.XXX) ±		
(.XX) ± 3.1	ANGLES ±		
DRAWN BY	MAT'L: HALOGEN FREE MODIFIED POLYPHENYLENE OXIDE (PPO)	SCALE	NONE
DATE		DRAWING NO.	DWG
8-2-02		38539-04	A
CHK'D	JKG	Sht 1 of 3	SIZE

REV	DATE	BY	CHK	DESCRIPTION	ECN	R	CUST	SUP
I	9-18-06	JCST	JKG	B. CHANGED NOTES A. ADDED NEW SIZES	38539-04	JKG	JKG	
R	11-2-02	JHNU JCST	JKG	RELEASED TO PRODUCTION	38539-04	HIW	HIW	

THIS COPY IS PROVIDED ON A RESTRICTED BASIS AND IS NOT TO BE USED IN ANY WAY DETRIMENTAL TO THE INTERESTS OF PANDUIT CORP.



PROFILE DIMENSION				
NOMINAL DUCT SIZE (W X H)	B REF	H REF	T	T TOL.
25 X 25	24.6 (.97)	20.5 (.81)	1.4 (.06)	±.26 (.010)
25 X 37	24.6 (.97)	33.0 (1.30)	1.4 (.06)	±.26 (.010)
25 X 50	24.6 (.97)	45.5 (1.79)	2.0 (.08)	±.30 (.012)
25 X 75	24.6 (.97)	70.5 (2.78)	1.7 (.07)	±.30 (.012)
37 X 37	37.1 (1.46)	33.0 (1.30)	1.8 (.07)	±.30 (.012)
37 X 50	37.1 (1.46)	45.5 (1.79)	2.0 (.08)	±.30 (.012)
37 X 75	37.1 (1.46)	70.5 (2.78)	2.0 (.08)	±.36 (.014)
50 X 50	49.6 (1.95)	45.5 (1.79)	2.0 (.08)	±.30 (.012)
50 X 75	49.6 (1.95)	70.5 (2.78)	2.0 (.08)	±.36 (.014)
50 X 100	49.6 (1.95)	95.5 (3.76)	2.2 (.09)	±.40 (.016)
75 X 75	74.6 (2.94)	70.5 (2.78)	2.0 (.08)	±.40 (.016)
100 X 50	99.6 (3.92)	45.5 (1.79)	2.0 (.08)	±.40 (.016)
100 X 75	98.6 (3.92)	70.5 (2.78)	2.5 (.10)	±.50 (.020)
100 X 100	99.6 (3.92)	95.5 (3.76)	2.5 (.10)	±.50 (.020)



MOUNTING HOLE	
NOMINAL DUCT WIDTH	K
25	±.5 (.02)
37	----
50	----
75	25.0 (.98)
100	25.0 (.98)



SLOT DIMENSION		
NOMINAL DUCT HEIGHT	D	R
25	±.8 (.03)	±.75 (.02)
37	13.6 (.54)	-----
50	24.7 (.97)	-----
75	34.8 (1.37)	-----
100	57.6 (2.27)	26.26 (1.03)
	81.0 (3.19)	38.0 (1.50)

ALL DIMENSIONS ARE METRIC (INCHES)

CAD FILENAME/LAYERS D38539AA\_DC\_NNC\_01B.PRT

PANDUIT CORP. TINLEY PARK, ILLINOIS

WIRING DUCT AND COVER  
TYPE "NNC" METRIC  
CUSTOMER DRAWING

UNLESS OTHERWISE SPECIFIED,  
DIMENSIONAL TOLERANCES ARE:  
(.X) ± (.XXX) ±  
(.XX) ± 3.1 (.12) ANGLES ±

UNLESS OTHERWISE SPECIFIED,  
ALL DIMENSIONS ARE GIVEN  
IN INCHES, THIRD ANGLE PROJECTION.

REV	DATE	BY	CHK	DESCRIPTION	ECN	CHK	CUST	SUP
I	9-18-06	JCST	JKG	SEE SHEET 1 OF 3 FOR REVISIONS	38539-04	JKG	JKG	
R	11-2-02	JHNU JCST	JKG	SEE SHEET 1 OF 3 FOR REVISIONS	38539-04	HIW	HIW	

DRAWN BY JHNU	MAT'L: HALOGEN FREE MODIFIED POLYPHENYLENE OXIDE (PPO)	SCALE NONE
DATE 8-2-02		DRAWING NO. 38539-04
CHK'D JKG		SHT 2 OF 3
		DWG A SIZE



THIS COPY IS PROVIDED ON A RESTRICTED BASIS AND IS NOT TO BE USED IN ANY WAY DETRIMENTAL TO THE INTERESTS OF PANDUIT CORP.



NOMINAL DUCT SIZE (W)	C REF	HC	TC
25	24.6 (.97)	8.9 (.35)	1.30 (.05)
37	37.1 (1.46)	8.9 (.35)	1.30 (.05)
50	49.6 (1.95)	8.9 (.35)	1.40 (.06)
75	74.6 (2.94)	9.4 (.37)	1.40 (.06)
100	99.6 (3.92)	9.4 (.37)	1.40 (.06)

ALL DIMENSIONS ARE METRIC (INCHES)

CAD FILENAME/LAYERS D38539AA\_DC\_NNC\_01B

REV	DATE	BY	CHK	DESCRIPTION	ECN	R	CUST	SUP
I	9-18-06	JCST	JKG	SEE SHEET 1 OF 3 FOR REVISIONS	38539-04	JKG	JKG	
R	11-2-02	JHNU JCST	JKG	SEE SHEET 1 OF 3 FOR REVISIONS	38539-04	HIW	HIW	

**PANDUIT** CORP TINLEY PARK, ILLINOIS  
 WIRING DUCT AND COVER  
 TYPE "NNC" METRIC  
 CUSTOMER DRAWING

UNLESS OTHERWISE SPECIFIED, DIMENSIONAL TOLERANCES ARE: (.X) ± .01 (.XX) ± .01		UNLESS OTHERWISE SPECIFIED, ALL DIMENSIONS ARE GIVEN IN INCHES, THIRD ANGLE PROJECTION.	
DRAWN BY JHNU	MATERIAL: HALOGEN FREE MODIFIED POLYPHENYLENE OXIDE (PPO)	SCALE NONE	
DATE 8-2-02		DRAWING NO. 38539-04	DWG SIZE A
CHK'D JKG		SHT 3 OF 3	

